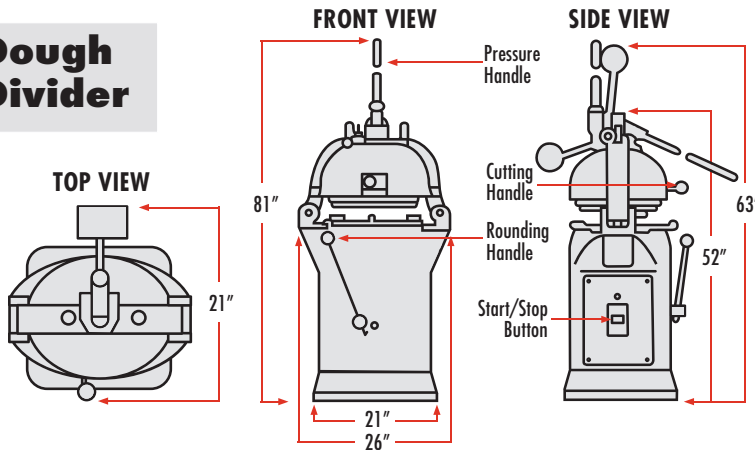


HISPANIC BAKERY EQUIPMENT

Dough Divider



- Features:**
- Divider Heads Are Cast Aluminum Or Steel With Stainless Steel Knives.
 - Solid Cast Steel Construction
 - All Models Supplied With Three Moulding Plates.
 - 220 Volt 3 phase Is Standard- single Phase Power Available
 - ETL and ETL-S Listings (UL 763 and NSF-8 Standards)
 - Meeting UL, NSF and CSA standards



1953364



1953364 36 Part Divider Rounder - 25" x 30" x 53" - 1.5 oz. to 4 oz. Capacity
 1953370 Extra Plastic Plates For ABS 36 Part Divider/Rounder

Dough Divider

1950045 Duchess 36 part manual dough divider - U.S.D.A./ N.S.F. 14" x 18" x 21 1/4" 1 oz. to 4 oz. capacity with removable head assembly
 6950045 Portable stand for Duchess bench model dough divider with locking casters, 29 lbs



1950045

Bolillo Maker

Features

- Solid, heavy duty design
- Quick and easy adjustments
- Produces up to 7,200 pcs/hr.
- Capacity from 1 oz. to 4 lbs.
- Totally enclosed chain and sprocket drive



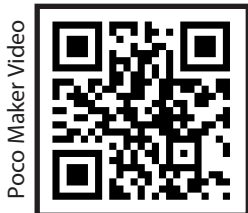
0750424



0750424 4-24 BL2 Dual Bolillo Sheeter/Molder with 6" plates 115/230V 60hz (CSA/US/BSSC) 3/4 hp 29" x 60" x 52" Single Phase
 0750430 4-24 BL2 Dual Bolillo Sheeter/Molder with 7 1/2" plates 115/230V 60hz 3/4 hp (CSA/US/BSSC) 29" x 60" x 52" Single Phase

Poco Maker

0750750 Counter top moulder
 30 1/2" x 14 5/8" x 20"
 Capacity 1/2 to 18oz.



Poco Maker Video

Features

- Compact design
- Produces up to 3,600 pcs/hr.
- Uniform & Professional looking rolls, bolillos, & breads
- Very little training required.



0750750