



Market Equipment Inc.

Call for PBI Service: (562) 595-4785 or (209) 839-9280 (Toll Free) 1-800-421-3753

Manconi Semi Auto Meat Slicer



6754572

6754572 Semi Auto NBI Slicer w/ 13" Blade, Built In Sharpner - NSF/ UL Approved Dimension: 29.3" x 24.7" x 25.8" Auto Shut-Off Feature

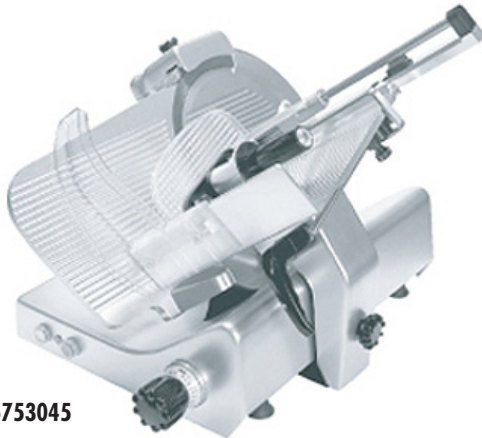
6803045 Lifting Device For Manual And Semi-Auto Manconi Slicers

FEATURES

- Gear box transmission, hard wearing and reliable built-in sharpener, right way available and easy to be used
- Great capacity and precision slicing
- Low loading height; reduced lifting and strain of the operator
- Carriage with spiked and swinging remnant holder
- Ultra smooth, polished aluminum surfaces and carefully machined slip grooves; erduced friction and simplified cleaning
- Compact design; reduced counter space
- Tilting away carriage; sharpener, blade guard, product deflector and sharpened remnant holder removable for a well done cleaning
- Integral motor overload protection
- Adjustable food fence
- NSF, UL and CSA listed



Manconi Manual Meat Slicer



6753045

6753045 Manual NBI Slicer with 13" Blade Dimension: 29.3" x 24.7" x 25.3" Auto Shut-Off Feature

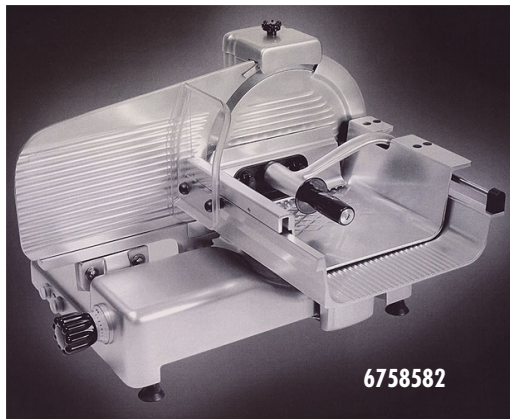
6803045 Lifting Device For Manual And Semi-Auto Manconi Slicers

FEATURES

- Gear box transmission, hard wearing and reliable built-in sharpener, right way available and easy to be used
- Great capacity and precision slicing
- Low loading height; reduced lifting and strain of the operator
- Carriage with spiked and swinging remnant holder
- Ultra smooth, polished aluminum surfaces and carefully machined slip grooves; erduced friction and simplified cleaning
- Compact design; reduced counter space
- Tilting away carriage; sharpener, blade guard, product deflector and sharpened remnant holder removable for a well done cleaning
- Adjustable food fence
- NSF, UL and CSA listed



Manconi Manual Vertical Meat Slicer



6758582

6758582 Manual Vertical Slicer w/ Bult in Sharpener, 120 volt, U.L. Approved 13 1/4" Blade, 32" x 16" x 21"

FEATURES

- Gear box transmission, hard wearing and reliable built-in sharpener, right way available and easy to be used
- Great capacity and precision slicing
- Low loading height; reduced lifting and strain of the operator
- Carriage with spiked and swinging remnant holder
- Ultra smooth, polished aluminum surfaces and carefully machined slip grooves; reduced friction and simplified cleaning
- Compact design; reduced counter space
- Tilting away carriage; sharpener, blade guard, product deflector and sharpened remnant holder removable for a well done cleaning
- Adjustable food fence
- NSF, UL and CSA listed



Signal Hill, CA.
(562) 595-4785
2667 Gundry Avenue, 90755 • (Corporate)

OFFICE
ADDRESSES
www.pbimarketing.com
Customerservice@pbimarketing.com

Tracy, CA.
(209) 839-9280
252 Larch Road Suite A, 95304