



Market Equipment Inc.

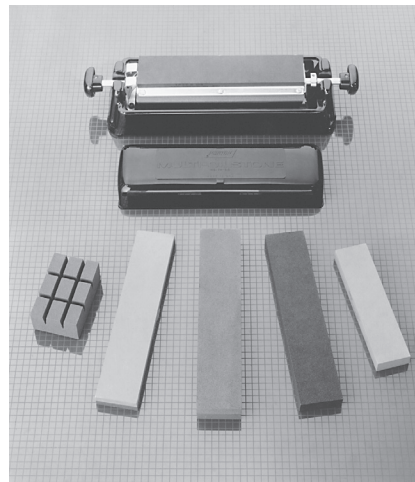
Call for PBI Service: (562) 595-4785 or (209) 839-9280 (Toll Free) 1-800-421-3753

Multi-Oilstone

Combination of three oil-filled reversible stones includes sharp crystolon coarse, crystolon medium and precision cutting india fine. The two stones not in use are immersed in oil. Heavy non-skid base. Lubricate with our excellent honing oil.

Stone size 11 1/2" x 2 1/2" x 1/2".

- 6250660** Multi-oilstone, complete, 16 lbs.
- 6250780** Replacement stone, fine
- 6250810** Replacement stone, medium
- 6250840** Replacement stone, coarse
- 6250690** Replacement honing oil, 1 qt.

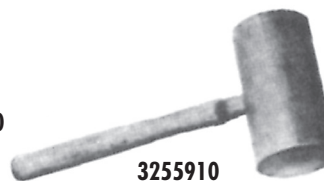


Boning Hooks

- 2900450** Boning hook, aluminum handle
- 2901080** 4" Boning hook, plastic handle
- 2900150** 5 1/2" Boning hook, plastic handle
- 2900090** 6 3/4" Boning hook, plastic handle



2901080



3255910

Plastic Mallet

- 3255910** 6 1/2" x 3 1/8" Plastic mallet, 2 3/4 lbs

Bone Dust Scraper

- 6100270** 8 1/2" x 4 1/4" Plastic bone dust scraper
- 6100180** Aluminum handle, S/S blade bone dust scraper
- 6100300** Extra S/S bone dust scraper blade



6100270

Saw

- 5903840** 25" Nickel/Chrome plated hand saw complete with one blade- NSF plastic handle
- 5903990** 25" Regular hand saw blade only 1/2" blade.



5903840

Fat Tester

Fat analyzer is used by most major supermarket chains to accurately label their ground beef and comply with USDA standards. The Analyzer is fast and simple to operate. It features a 3 minute cycle time and works on standard electrical current.

Std. Voltage: 115 / 60 / 1. Amp Draw: 0.9
 Finish: Black wrinkle enamel.
 Standard Equipment: Sample measuring device, Carrying case, 6 Glass vials, Cord and Plug.
 Net Weight: 8 lbs.
 Cube: 12" x 12" x 12"

- 2200060** Fat Analyzer 115V 60Hz (3 min. Cycle), With Carrying Case, 6 Vials & Cord



2200060

Signal Hill, CA.
 (562) 595-4785
 2667 Gundry Avenue, 90755 • (Corporate)

OFFICE ADDRESSES
 www.pbimarketing.com
 Customerservice@pbimarketing.com

Tracy, CA.
 (209) 839-9280
 252 Larch Road Suite A, 95304