

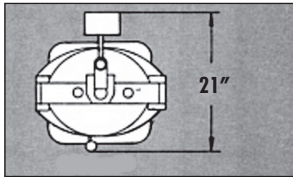


Market Equipment Inc.

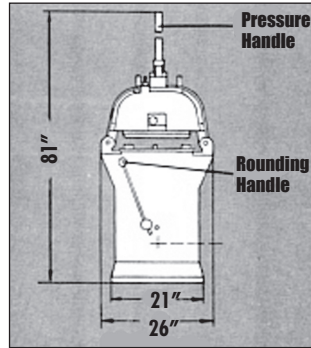
Call for PBI Service: (562) 595-4785 or (209) 839-9280 (Toll Free) 1-800-421-3753

## HISPANIC BAKERY EQUIPMENT

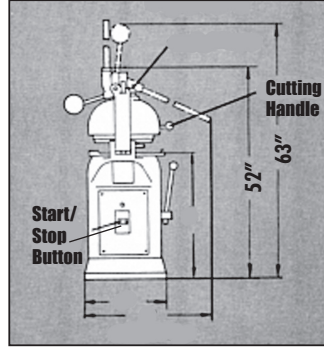
### Dough Divider



Top View



Front View



Side View



1953364

Meeting UL, NSF and CSA standards

#### Features:

- Divider Heads Are Cast Aluminum Or Steel With Stainless Steel Knives.
- Solid Cast Steel Construction
- All Models Supplied With Three Moulding Plates.
- 220 Volt 3 phase Is Standard- single Phase Power Available
- ETL and ETL-S Listings (UL 763 and NSF-8 Standards)

**1953364** 36 Part Divider Rounder - 25" x 30" x 53" - 1.5 ozz. to 4 oz. Capacity  
**1953370** Extra Plastic Plates For ABS 36 Part Divider/Rounder

### Bolillo Maker

**0750424** 4-24 BL2 Dual Bolillo Sheeter/molder - 115/230V 60hz  
 3/4 hp 29" x 60" x 52" (CSA/US/BSSC) Single Phase

#### Features

- Solid, heavy duty design
- Quick and easy adjustments
- Produce up to 3,600 pcs/hr.
- Capacity from 1 oz. to 4 lbs.
- Easy to remove scraper assemblies
- Totally enclosed chain and sprocket drive



0750424

### Dough Sheeter



6307500



**Electrical:** 208/220 Volt 3 Phase 60 Hz 12 Amps. Supplied with twist-lock plug. Recommend a 15 Amp slow-blow breaker. Plug: NEMA L 15-20P

**Spacing:** 0" from wall in rear. Access to remaining sides for operation, front for operation of controls.

**Features:** Stainless steel panels and aluminum construction. Hand controls. Seamless belts. Baton is standard. Tables fold up for cleaning and storage.

**Shipping:** Weight: 400 pounds, Freight class: 85. Fully crated dims: 22" X x 40" W x 32" H

**6307500** Table Model Dough Sheeter - Reversible - 57.5" x 36.63" x 22.81 - NEMA L15-20P 208/220V

Signal Hill, CA.  
 (562) 595-4785  
 2667 Gundry Avenue, 90755 • (Corporate)

OFFICE  
 ADDRESSES  
[www.pbimarketing.com](http://www.pbimarketing.com)  
[Customerservice@pbimarketing.com](mailto:Customerservice@pbimarketing.com)

Tracy, CA.  
 (209) 839-9280  
 252 Larch Road Suite A, 95304