



Market Equipment Inc.

Call for PBI Service: (562) 595-4785 or (209) 839-9280 (Toll Free) 1-800-421-3753

### Wet Produce Cart

Built to carry wet produce in crates without dripping water on floor. Constructed of 1" tubing, 1 1/2" angle iron frame with vinyl bumper. Top pan 1 1/4" deep. Has 2 five-inch stationary casters, and 2 five-inch swivel casters.

Galvanized finish, galvanized pans.

Capacity 800 lbs. 28"W x 42"L x 28"H.

**1051620** 4 Wheel Wet produce cart, 42" x 26" x 28" with top pan shelf and lower shelf solid, push handle, galvanized finish, 5" casters two rigid and two swivel casters

**1051680** 6 Wheel Wet Produce Cart w/ Two Decks, Push Handle, 42" x 26" x 28" Ht. - 37" Ht. Overall.



1051680

### Dry Produce Cart

Sturdy, easy to move 6 wheel truck. Galvanized top and bottom deck. All tubing unichrome—2 stationary wheels in center and 4 swivel casters on both ends. This produce truck is built for punishment.

42" long x 20" wide x 37". Platform ht. 30".

**Not Pictured**

**7600540** Dry produce truck, 42" x 20" x 37", with two galvanized decks, push handle 4 casters, zinc plated, full perimeter bumper, and two swivel casters



### Chrome Bag Holders

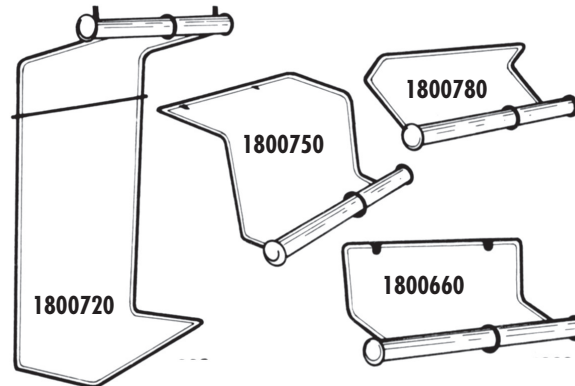
Brightly chromed bag holders for produce and meat cases.

**1800750** Top mount produce bag holder - chrome plated

**1800780** Front mount produce bag holder

**1800720** Dry stand produce bag holder

**1800660** Top case bag holder (top mount)



Signal Hill, CA.  
(562) 595-4785  
2667 Gundry Avenue, 90755 • (Corporate)

OFFICE  
ADDRESSES  
www.pbimarketing.com  
Customerservice@pbimarketing.com

Tracy, CA.  
(209) 839-9280  
252 Larch Road Suite A, 95304